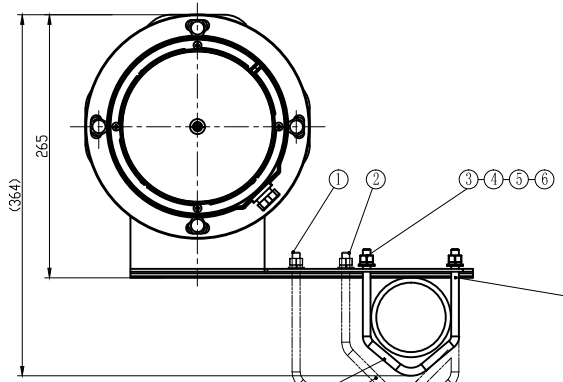
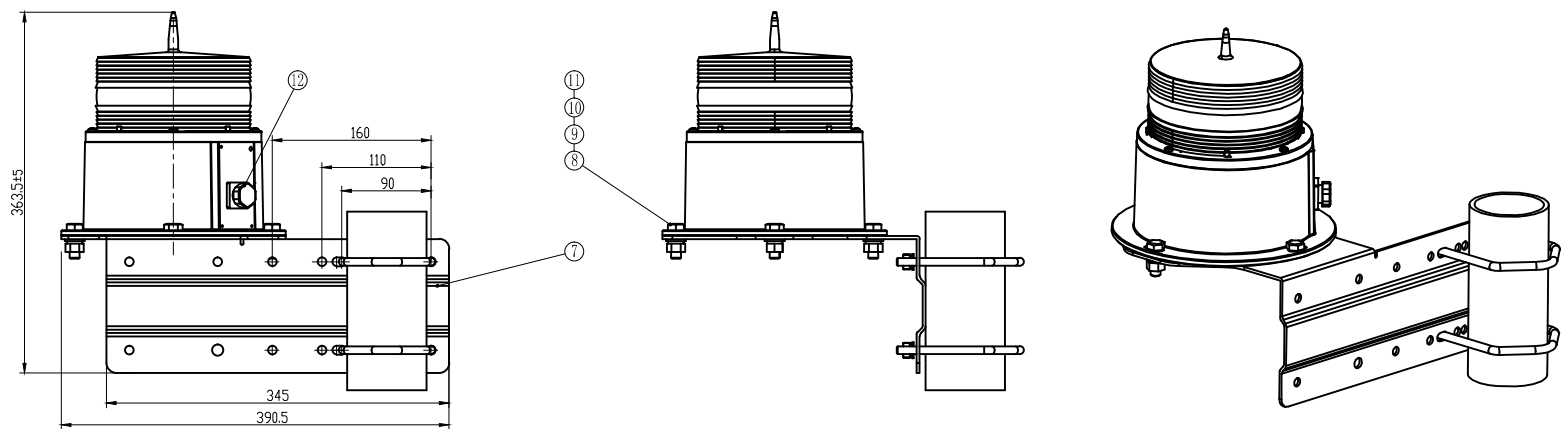


MARKER	REVISION	REVISION	PERSON	REVISION	REVISION
MARKER	DESCRIPTION	NUMBER	NAME	DATE	REV



80/100/150 Three types of U-BOLT can be selectable subject to pipe diameter.

80U-BOLT For Pipe Dia. $\phi 30-\phi 80$
 100U-BOLT For Pipe Dia. $\phi 55-\phi 100$
 150U-BOLT For Pipe Dia. $\phi 85-\phi 150$

NO	ITEM	MATERIAL AND SPECS	QTY	NOTE
12	CABLE SOCKET	WY16-4KZ	1	
11	SPRING WASHER	65Mn $\phi 10$	4	
10	PLAIN WASHER	STAINLESS STEEL304 $\phi 10$	4	
9	HEX NUT	STAINLESS STEEL304 M10	4	
8	HEX BOLT	STAINLESS STEEL304 M10X30	4	
7	BRACKET	STAINLESS STEEL304	1	
6	SPRING WASHER	65Mn $\phi 8$	4	
5	PLAIN WASHER	STAINLESS STEEL304 $\phi 8$	4	
4	HEX NUT	STAINLESS STEEL304 M8	4	
3	80 U-BOLT	STAINLESS STEEL304 M8	2	PIPE DIA. $\phi 30-\phi 80$
2	100 U-BOLT	STAINLESS STEEL304 M8	2	PIPE DIA. $\phi 55-\phi 100$
1	150 U-BOLT	STAINLESS STEEL304 M8	2	PIPE DIA. $\phi 85-\phi 150$

FIRST ANGLE (1RD)	TOLERANCE: GENERAL TOLERANCE	X. XX ± 0.05 X. X ± 0.1 X. ± 0.2 角度 $\pm 0.5^\circ$	MODEL MODEL NO. NAME NAME	AMS-80/100/150 YSL10_MOUNTING_VER		PART NAME PART NAME	---
			SIGNATURE SIGNED BY	DATE DATE	MATERIAL MATERIAL	RDM-AMS-04 STAINLESS-STEEL	
SCALE SCALE	1:1	UNIT UNIT	mm	设计 DESIGN	CHUNHUA	2014.9.20	FINISH FINISH
PAPER SIZE PAPER SIZE	A4	VER VER.	V1	校对 CHECK			
1/1				审核 VERIFY			
						 HuNan YuanSheng Electronics Co.,Ltd	