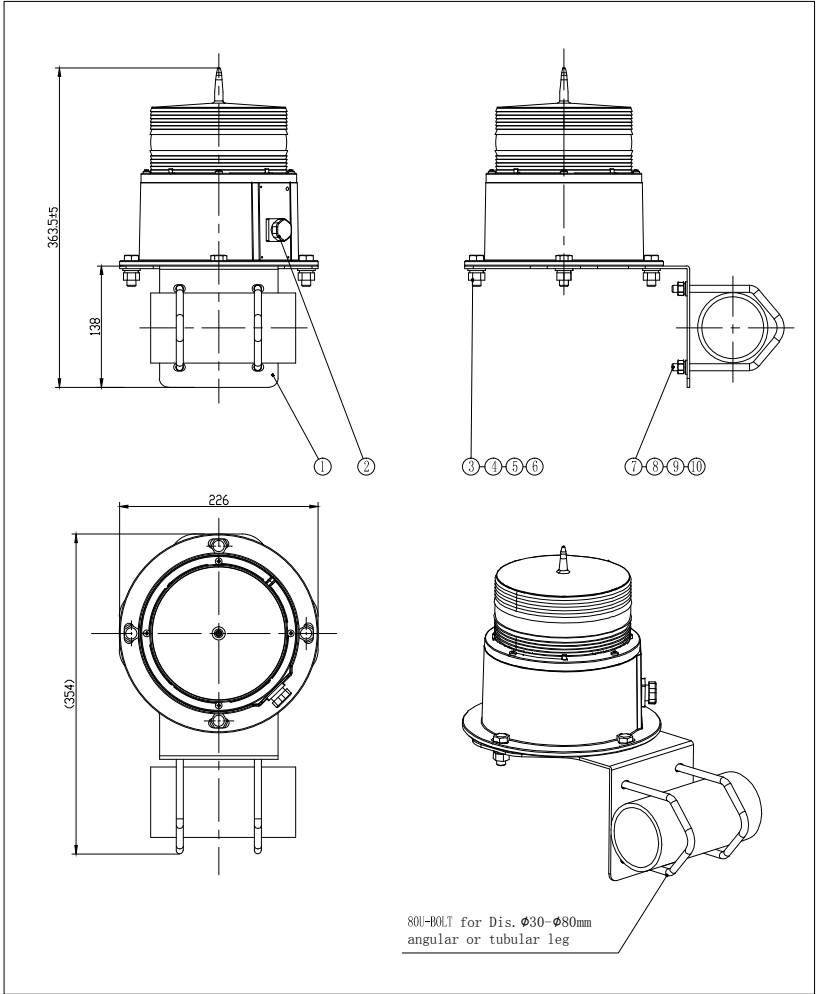
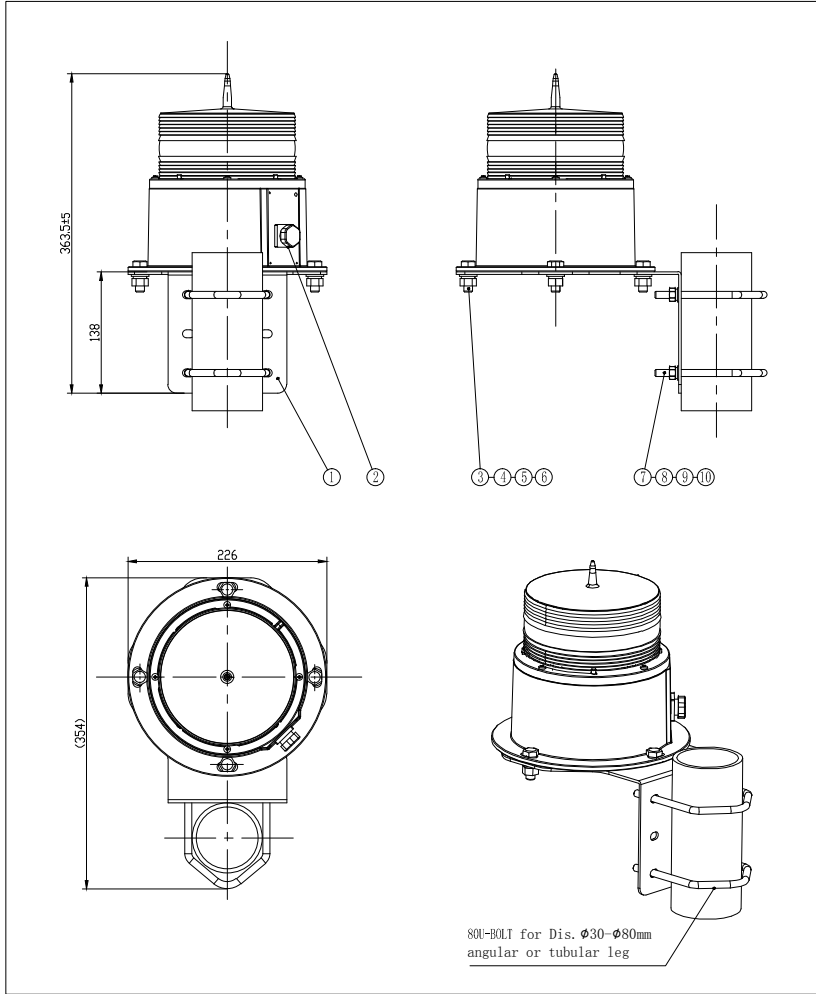


MARKER	DESCRIPTION	NUMBER	NAME	DATE	REV



10	SPRING WASHER	65Mn φ8	4	
9	PLAIN WASHER	STAINLESS STEEL 304 M8	4	
8	HEX NUT	STAINLESS STEEL 304 M8	4	
7	80 U-BOLT	STAINLESS STEEL 304 M8	2	80U-BOLT for Dis. φ30-φ80mm angular or tubular leg
6	SPRING WASHER	65Mn φ10	4	
5	PLAIN WASHER	STAINLESS STEEL 304 φ10	4	
4	HEX NUT	STAINLESS STEEL 304 M10	4	
3	HEX BOLT	STAINLESS STEEL 304 M10X30	4	
2	CABLE SOCKET	WY16-4KZ	1	FOR YSL10 ONLY
1	MOUNTING PLATE	STAINLESS STEEL 304	1	
NO	ITEM	MATERIAL AND SPECS	QTY	NOTE

1RD		GENERAL TOLERANCE	X. XX	±0.05	MODEL NO.	AMS80		PART NAME		
			X. X	±0.1	NAME		YSL10_MOUNTING KITS		DWG. NO.	RDM-AMS-06
			X.	±0.2	SIGNED BY		DATE		MATERIAL	
	±0.5°		YCH							
SCALE	1:1	UNIT	mm		DESIGN			 Yuan Sheng HuNan YuanSheng Electronics Co.,Ltd		
PAPER SIZE	A4	VER.	V1.0		CHECK					
		1/1		VERIFY						